

32", 46", 58", & 70" Chickadee Bench Assembly Instructions

Item: ELY32CTT4BBCVD, ELY46CTT4BBCVD, ELY58CTT4BBCVD, ELY70CTT4BBCVD

Tools Required for Assembly

7/16" Socket or Adjustable Wrench
2# Squarehead Bit (included)
Hammer for tapping bolts and screws.
Tape Measure

Hardware List

8- 1/4 x 3" Hex Bolts
8- 1/4" Hex Nuts
16- 1/4 x 1" Fender Washers
6- 3" Screws
4- 2 1/2" Screws
18- 2" Screws
3- 1 1/4" Screws

Parts List

1- Bench Top
2- Bench Legs
2- Bench Back Boards
1- Back Support

Hex Bolts



Screw



Fender Washer



Nut



Pre-drilled Hole 

Step 1.

Lay the bench upside down on a clean flat surface. We recommend using the box the item was shipped in. Using 3" bolts, attach each leg on the outside, aligning it with the pre drilled holes. Tighten the bolts.

Step 2:

Now put the 3" screws in the small pre-drilled holes.

Step 3:

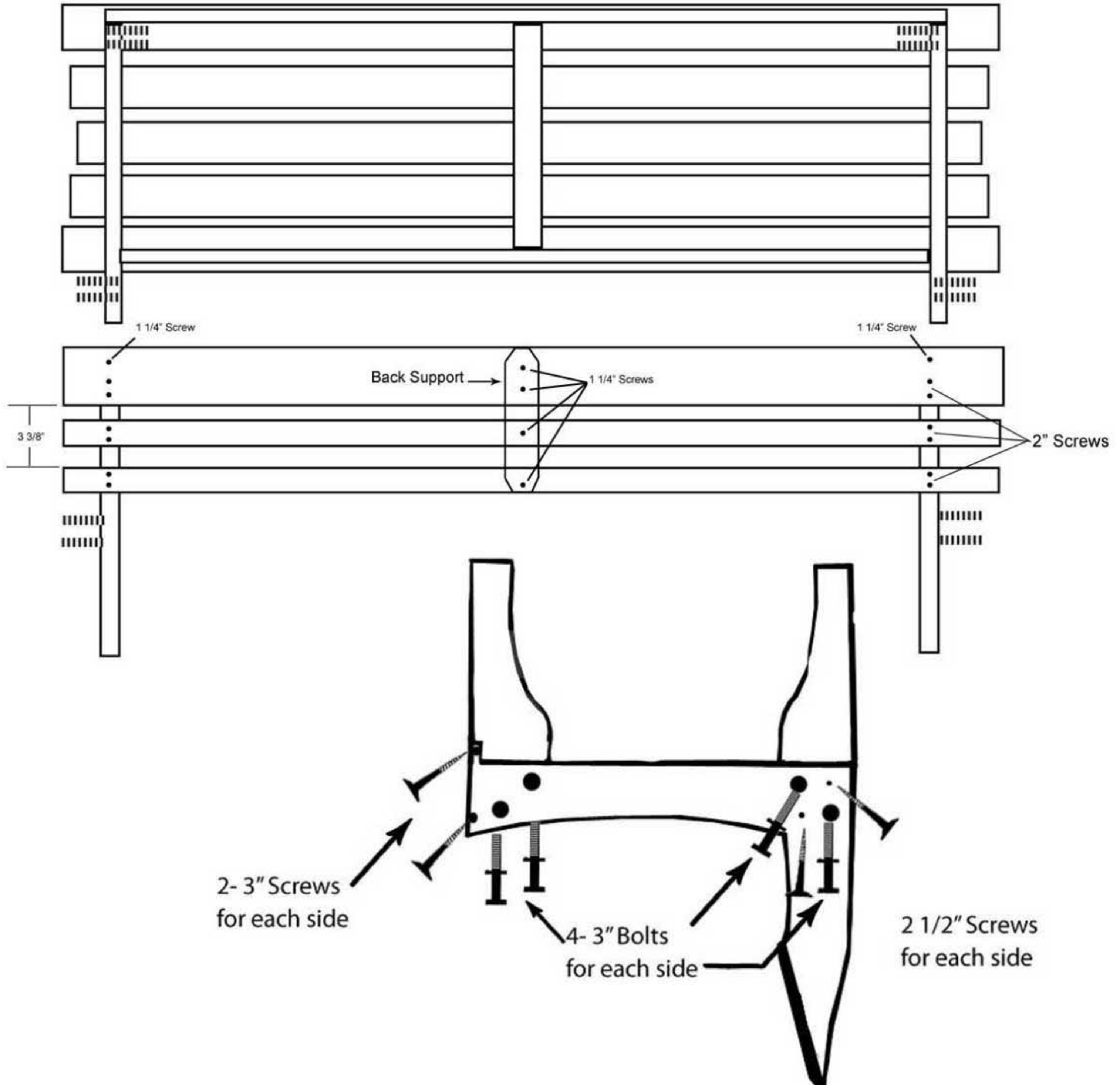
Tip the bench on its side and place the bench legs on the outside of the bench, align holes, tighten bolts, and put 2 1/2" screws in small pre-drilled holes.

Step 4.

Tip the bench on its back and put the wide board onto the legs keeping it even on top. Use 2" screws for bottom and middle predrilled holes and 1 1/4" screws for the very top predrilled holes. Now put the smaller board on the bottom. Measure 3 3/8" in between the wide board and the small bottom board, and add the small middle board between those two. Attach the back support onto the back, center of the bench by using the 1 1/4" screws in the predrilled holes on the back support. (see image on next page)

Instructions for 32", 46", 58", & 70" Red Cedar Contoured Backed Bench

Item: ELY32CTBB, ELY46CTBB, ELY58CTBB, ELY70CTBB, ELY46CTTBB, ELY58CTTBB, ELY70CTTBB, ELY46CTT4BB, ELY58CTT4BB, ELY70CTT4BB



Contoured Table Assembly Instructions

Tools Required for Assembly

7/16" Socket or Adjustable Wrench
2# Squarehead Bit (included)
Hammer for tapping bolts and screws.

Hardware List

8- 2 1/2" Hex Bolts
8- Hex Nuts
24- 1/4 x 1" Fender Washers
8- 1/4 x 2 1/2" Lags

Parts List

1- Table Top
4- Table Legs

Hex Bolts



Screw



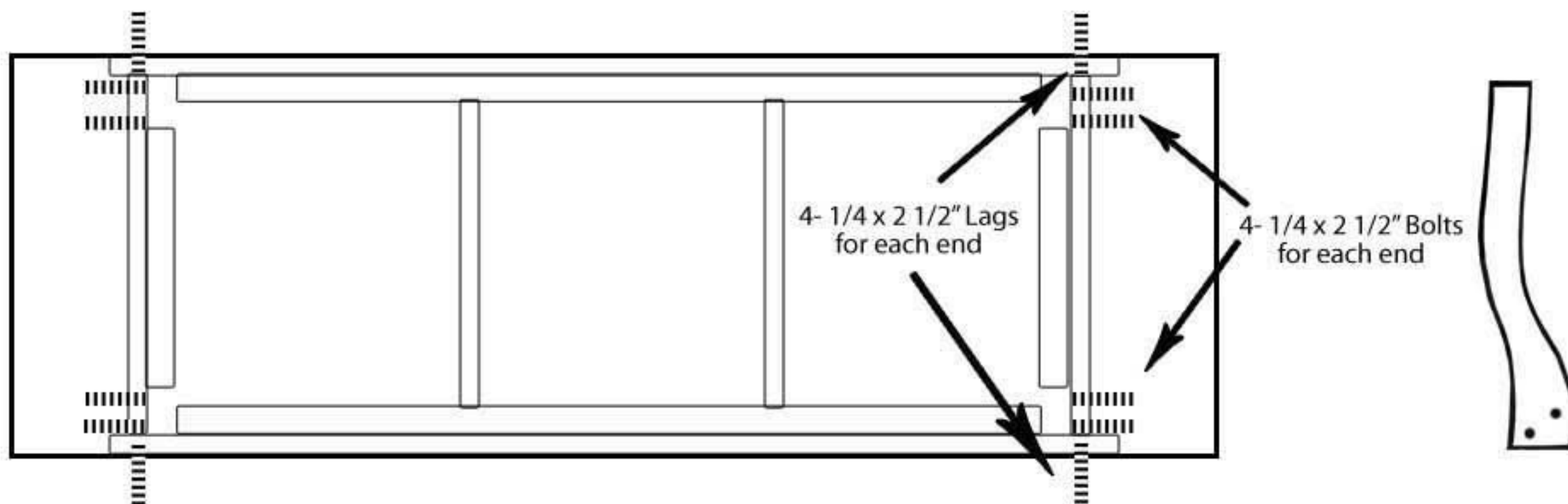
Fender Washer



Nut



Pre-drilled Hole



Step 1:

Lay the table top upside down on a clean flat surface. Place each leg on the outer side into the notched out cross member using the 2 1/2" bolt.

Step 2:

Next put the 2 1/2" Lags through the side rail piece into the leg.

Step 3:

Repeat with each leg.