

# 94" Chickadee Bench Assembly Instructions

Item: ELY46CTT4BBCVD, ELY48CTT4BBCVD, ELY70CTT4BBCVD, ELY94CTT4BBCVD

## Tools Required for Assembly

7/16" Socket or Adjustable Wrench  
2# Squarehead Bit (included)  
Hammer for tapping bolts and screws.  
Tape Measure

## Hardware List

8- 1/4 x 3" Hex Bolts  
8- 1/4" Hex Nuts  
16- 1/4 x 1" Fender Washers  
6- 3" Screws  
4- 2 1/2" Screws  
18- 2" Screws  
3- 1 1/4" Screws

## Parts List

1- Bench Top  
2- Bench Legs  
2- Bench Back Boards  
1- Back Support

Hex Bolts



Screw



Fender Washer



Nut



Pre-drilled Hole 

### Step 1.

Lay the bench upside down on a clean flat surface. We recommend using the box the item was shipped in. Using 3" bolts, attach each leg on the outside, aligning it with the pre drilled holes. Tighten the bolts.

### Step 2:

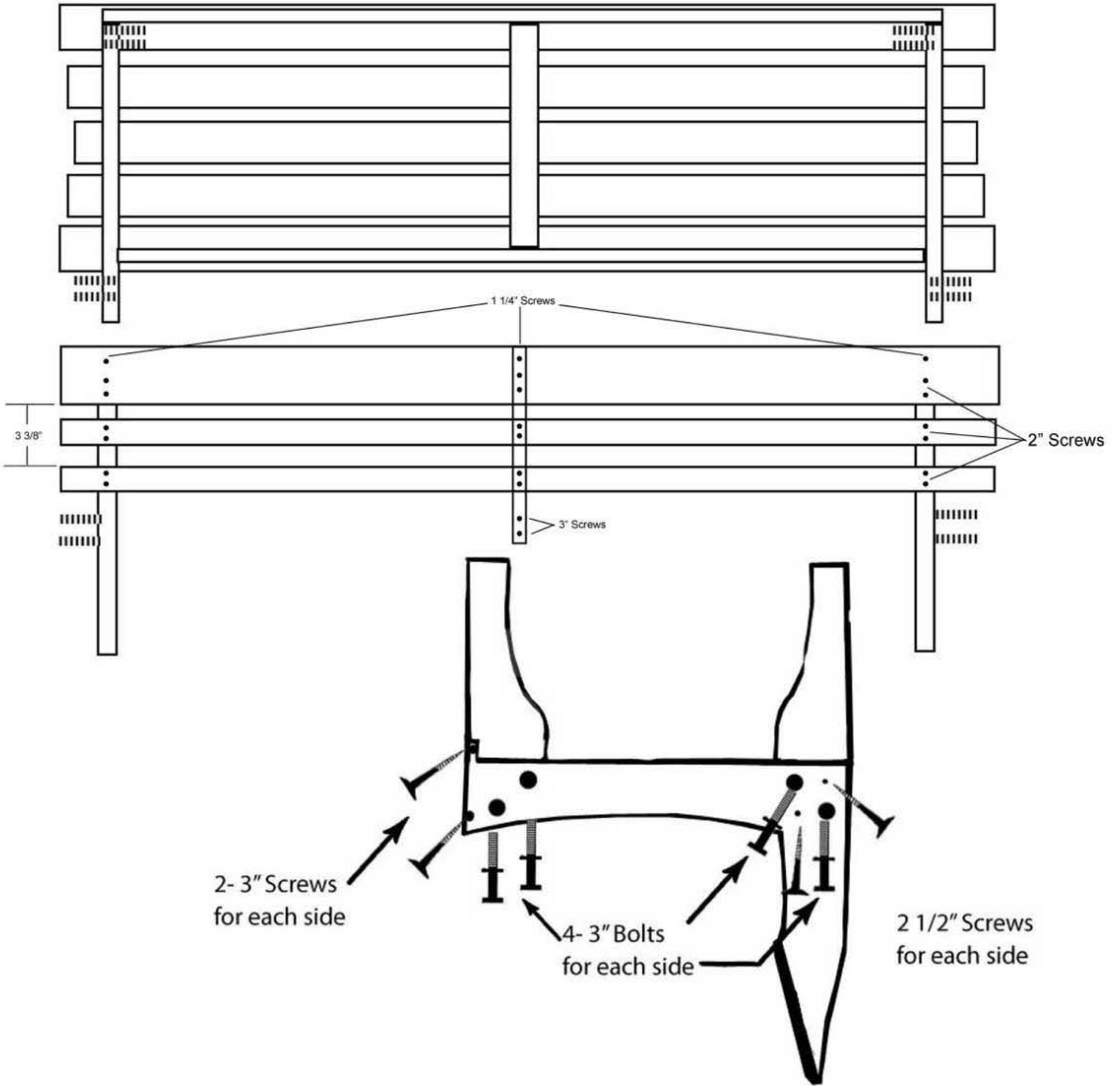
Now put the 3" screws in the small pre-drilled holes.

### Step 3:

Tip the bench on its side and place the bench legs on the outside of the bench, align holes, tighten bolts, and put 2 1/2" screws in small pre-drilled holes.

### Step 4.

Tip the bench on its back and put the wide board onto the legs keeping it even on top. Use 2" screws for bottom and middle predrilled holes and 1 1/4" screws for the very top predrilled holes. Now put the smaller board on the bottom. Measure 3 3/8" in between the wide board and the small bottom board, and add the small middle board between those two. Attach the back support onto the back, center of the bench by using the 2" screws in the predrilled holes on the back support. Now use two 3" screws in predrilled holes at the bottom of the back support to secure the support to the seat of the bench. (see image on next page)



# Contoured Table Assembly Instructions

## Tools Required for Assembly

7/16" Socket or Adjustable Wrench  
2# Squarehead Bit (included)  
Hammer for tapping bolts and screws.

## Hardware List

8- 2 1/2" Hex Bolts  
8- Hex Nuts  
24- 1/4 x 1" Fender Washers  
8- 1/4 x 2 1/2" Lags

## Parts List

1- Table Top  
4- Table Legs

Hex Bolts



Screw



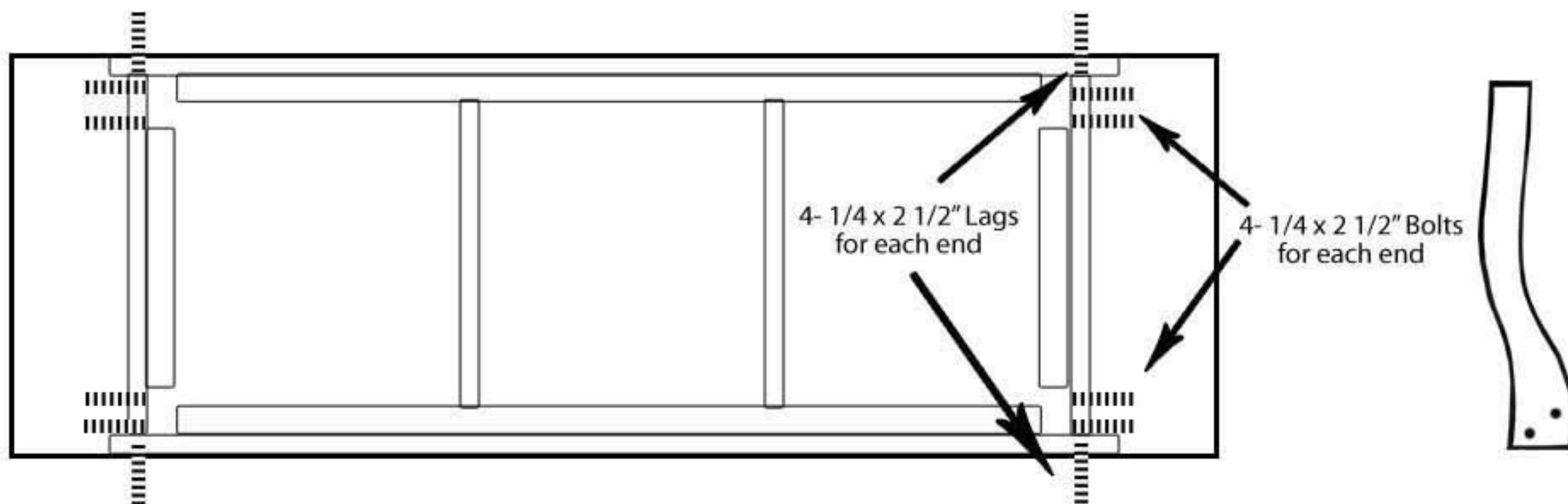
Fender Washer



Nut



Pre-drilled Hole



### Step 1:

Lay the table top upside down on a clean flat surface. Place each leg on the outer side into the notched out cross member using the 2 1/2" bolt.

### Step 2:

Next put the 2 1/2" Lags through the side rail piece into the leg.

### Step 3:

Repeat with each leg.